



X 25 Year System Warranty

X Supports Gigabit Ethernet

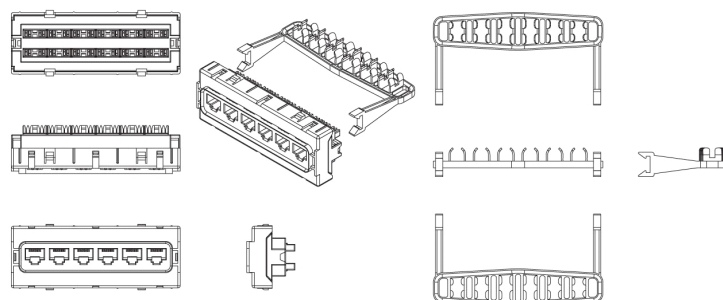
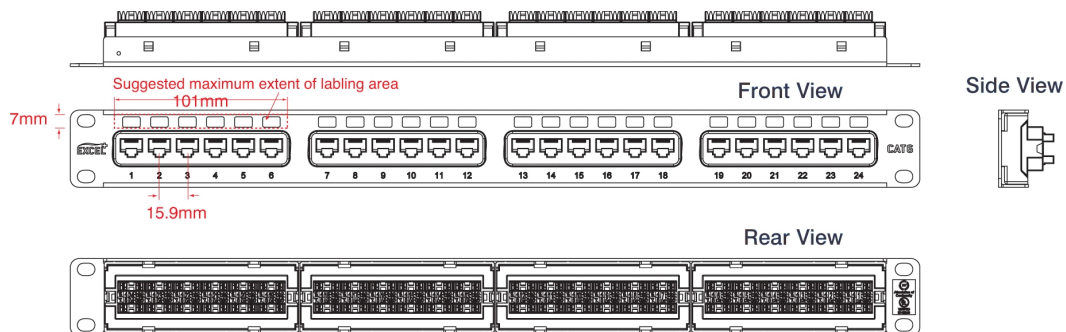
X Independently Certified

Features

- 25 Year System Warranty
- Independently Certified
- Modular Design
- Option to buy unloaded frame and modules for increased flexibility
- 3P Attestation of Conformity
- Supports Gigabit Ethernet
- Category 6 compliant
- Snap on rear cable management included as standard
- LSA Style Termination Blocks
- No.3 cabling system by market share, as reported by BSRIA

Product Overview

The new Excel Plus Category 6 modular patch panel is designed around 4 high quality housings each containing 6 x RJ45 outlets, which are snapped in to the 19" frame. Each of the modules containing the 6 RJ45 Jacks has it's own snap on cable manager. Available either pre-loaded for standard installations which may require the built in modularity for future use or as an unloaded frame and compatible 6 way blocks. This design is particularly advantageous for the pre-termination of the cables onto the 6 way modules off site ensuring an easy to handle and manage project with reduced on site time. The modular design also allows for smaller installations to have part populated panels with room for expansion.



Performance Overview

The Excel Plus Category 6 Modular Patch Panel is manufactured and tested to the Category 6 performance standards defined by the TIA, ISO and EN standards bodies. A range of performance characteristics are tested up to 250MHz including return loss, attenuation and near and far end crosstalk (NEXT and FEXT) for which both worst case and power sum tests are completed. Actual performance far exceeds the required standard - when tested in isolation and in circuit - resulting in significant headroom for even the most demanding of applications.

As well as providing link and channel compliance - when installed with Excel category 6 components - with the aforementioned specification - the box is also backward compatible with Category 5e components.

Typical Applications

■ 100BASE-TX Fast Ethernet ■ Token Ring ■ 1000BASE-T Gigabit Ethernet ■ 155 Mbps ATM ■ Composite Video ■ 622 Mbps ATM

Performance / Specification Table

Specification	Category 6 ISO/IEC 11801 Class E, TIA/EIA-568B.2-1
Wiring Specification	T568A & T568B
Port Density	24
Dimensions	480mm wide x 29.85mm deep x 44mm high or 88mm (2U) high
Panel Material:	SPCC Black Powder Painting Coating
Plastic Module Material:	ABS High-Impact UL94V-0 Thermoplastic
IDC Plastic:	Polycarbonate Resin High-Impact UL94V-0 Thermoplastic
RJ45 Jack	Min. life 750 insertions
RJ45 Jack	50 Microinch Gold Plated contact pins
IDC Contacts	Suitable for 110 compatible tooling. Maximum 200 reterminations
Operating Temperature Range:	-10°C to 60°C
Storage Temperature Range:	-40°C to 68°C
NEXT at 100MHz	Category 6 43.80dB @250MHz (Power Sum)
FEXT at 100MHz	Category 6 33.70dB @250MHz (Power Sum)

Part Number Information

Part No.	Description
100-015	Excel Plus Category 6 Modular Patch Panel - Loaded, 24 Port, 1U, Black
100-016	Excel Plus Modular Patch Panel Frame - Unloaded, 4 Way, Black
100-017	Excel Plus 6 way Modular Block for use in 100-016

System Warranty

The Excel System Warranty provides a 25-year product and applications assurance of compliance with the industry performance standard appropriate to the class of cabling installed. The warranty may be applied for by an accredited Excel Partner who has designed, supplied and installed the said system.



Excel is a world-class premium performing end-to-end infrastructure solution - designed, manufactured, supported and delivered - without compromise.

Contact us at sales@excel-networking.com

