



- X 25 Year Systems Warranty
- X 50 x 50mm Fascia & Mounting Frame
- X Colour Option

Features

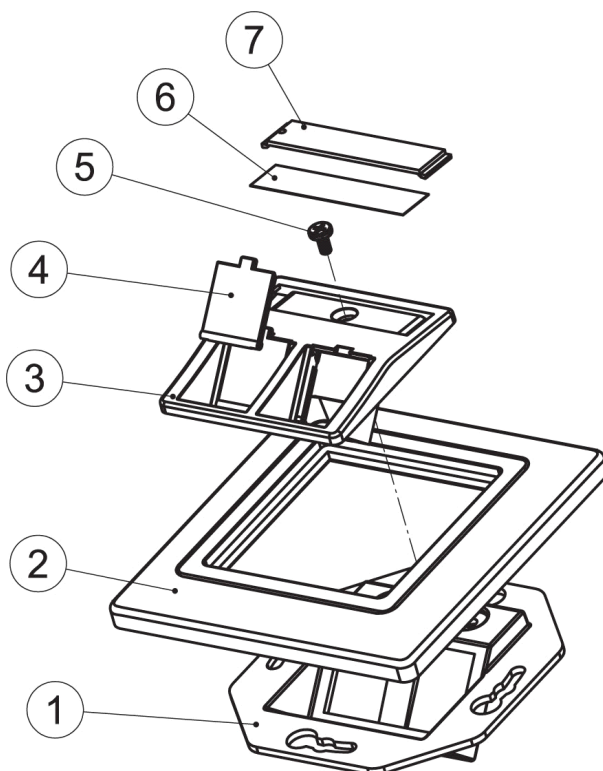
- 25 Year Systems Warranty
- Colour Option
- 50 x 50mm Fascia & Mounting Frame
- Label field and lens

Product Overview

The Excel Angled 2 Port Keystone 50 x 50 mm Faceplate comprises of the fascia and mounting frame in an option of colours. The frame accepts all of the Unscreened and Screened Excel Keystone Jacks and presents them in an angled orientation to reduce the depth of the back box. The mounting frame is complete with a fitting to accept a 6mm spade connector if earth bonding is required.

The 50 x 50mm fascia is available in two colours

- RAL 9010 Pure White
- RAL 1013 Oyster White



- 1 Mounting frame
- 2 Faceplate (not included)
- 3 50 x 50 mm fascia
- 4 Shutter
- 5 Screw
- 6 Paper label
- 7 Clear window

All items, except No. 2, are included

Specification

Number of Ports	2
Fascia material	ABS
Fascia dimensions	50 x 50 mm
Mounting Frame	Die-cast metal

Performance / Specification Table

Specification	ANSI/TIA-568-C.2
Dimensions	16.2mm wide x 28.3mm deep x 21.5mm high
Housing	Die cast Zinc-alloy
RJ45 Contacts	Nickel plated phosphor bronze alloy with 50 micro-inch Gold plating
IDC Contacts	Tin plated phosphor bronze alloy
RJ45 Life	Minimum 750 insertions
Temperature range	-
Storage	-40 to +70° C
Operation	-10 to +60° C
Relative humidity (Operational)	93% Maximum Non-condensing

Part Number Information

Part No.	Description
100-284	Angled 2 Port Keystone 50x50mm Faceplate RAL1013 (Oyster White)
100-283	Angled 2 Port Keystone 50x50mm Faceplate RAL9010 (Pure White)

Excel is a world-class premium performing end-to-end infrastructure solution - designed, manufactured, supported and delivered - without compromise.

Contact us at sales@excel-networking.com

